

EHD IMAGING GMBH

# 12MP Camera

12.0 Megapixel CMOS Camera USB3.1 Gen1

## EHD-UK39395-M

EHD imaging GmbH  
Zum Rennplatz 15  
D-49401 Damme

Phone: +49-5491-2090  
Fax: +49-5491-2098

e-mail: [info@ehdimaging.de](mailto:info@ehdimaging.de)  
[www.ehd.de](http://www.ehd.de)

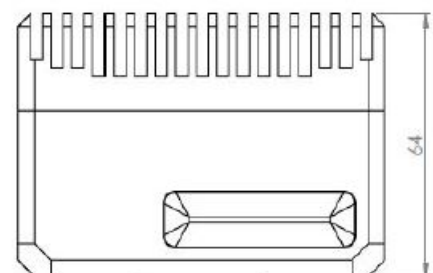
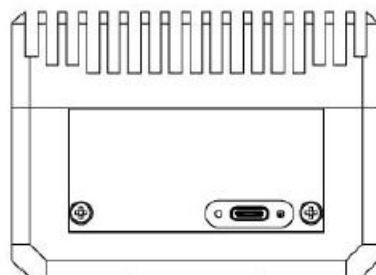
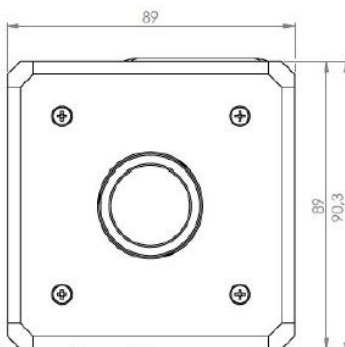
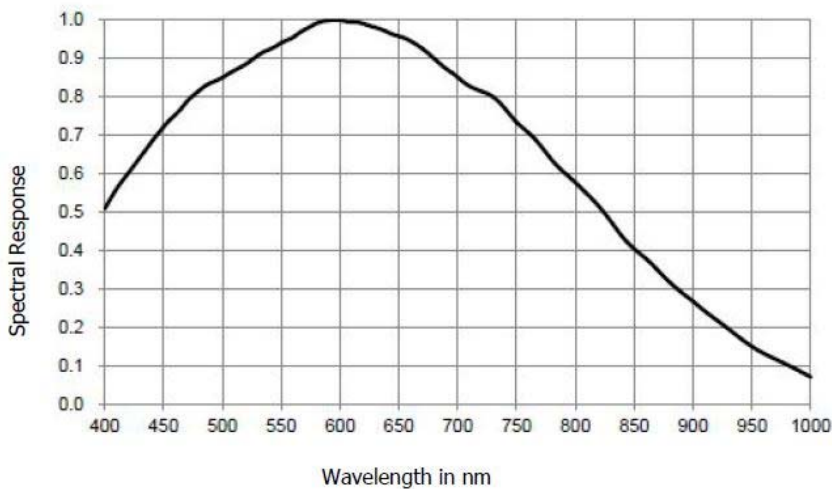


### Key Features:

- 12,0MPixel
- CMOS mono/color
- 400nm –1000nm
- 30 fps
- 8bit/10bit/12bit
- USB3.1 Gen1
- Software SDK
- ImageCapture Software

### Optional:

- Adjust. Lens mount
- Trigger in/out



## Specifications: EHD-UK39395-M

<b>Image Sensor</b>	1.1" CMOS monochrome
<b>Resolution</b>	4112 x 3000
<b>Pixel Size (H x V) <math>\mu\text{m}</math></b>	3.45 x 3.45
<b>Shutter</b>	Global
<b>Full well</b>	10.8ke-
<b>Read out noise</b>	< 3e-
<b>Temperature Stabilization</b>	18°C sensor temperature via TEC
<b>A/D</b>	8bit /10bit / 12bit
<b>Exposure Control</b>	1 $\mu\text{s}$ ~ 300s
<b>Frame Rate</b>	30fps @ 8bit / 19fps @ 12bit
<b>Lens Mount</b>	C-Mount
<b>Operation Temperatur</b>	0°C ~ 55°C
<b>Power source</b>	USB powered—USB Cable Type e C
<b>Data Interface</b>	USB3.1 Gen1
<b>Dimensions ( WxHxD) mm</b>	89.0 x 90.3 x 64.0
<b>Weight ( without lens )</b>	1.2kg