

EHD IMAGING GMBH

sCMOS-Camera

4.0 Megapixel sCMOS Camera USB3.0

SCM2020-M

EHD imaging GmbH
Zum Rennplatz 15
D-49401 Damme

Phone: +49-5491-2090
Fax: +49-5491-2098

e-mail: info@ehdimaging.de
www.ehd.de

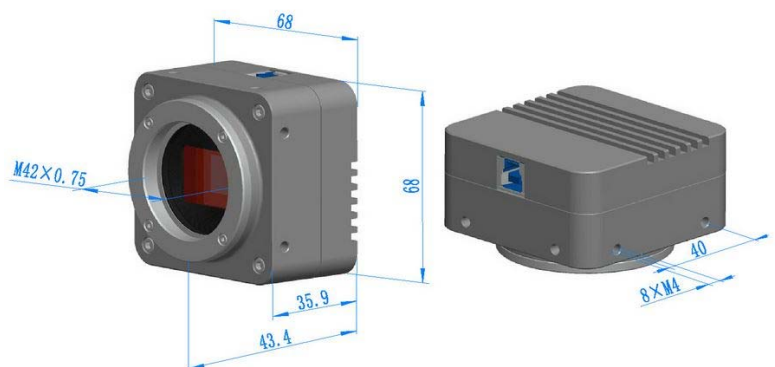
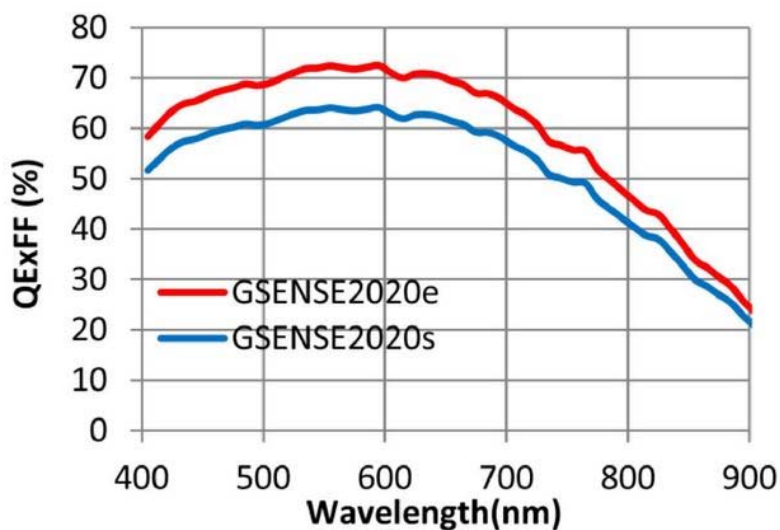


Key Features:

- 4,0MPixel
- GSENSE2020s-M
- 400nm –900nm
- 0.1ms—1000s
- 45 fps
- USB3.0
- EHDView Software
- Software SDK

Optional:

- C-Mount Adapter
- F-Mount Adapter



Specifications: SCM2020-M

Image Sensor	1.2" GSENSE2020s-M front illuminated
Resolution	2048 x 2048
Pixel Size (H x V) μm	6.5 x 6.5
Active Sensor Size (H x V) mm	13.3 x 13.3
Full well	54ke-
Dark current	<2e- @ 12bit
A/D	12bit
Exposure Control	0.1ms ~ 1000s
Frame Rate	45 fps
Lens Mount	M42
Operation Temperatur	-10°C ~ 50°C
Power source	DC 5V USB port powered
Dimensions (WxHxD) mm	68 x 68 x 43.4
Weight (without lens)	400g

F-Mount and C-Mount adapter optional available

