

EHD IMAGING GMBH

10.3MP Camera

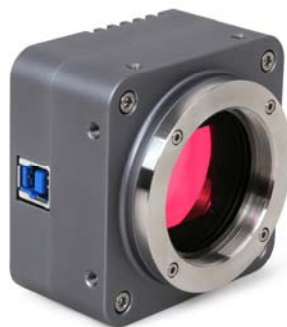
10.3 Megapixel 4/3" backilluminated color Camera USB3.0

SCM294-C

EHD imaging GmbH
Zum Rennplatz 15
D-49401 Damme

Phone: +49-5491-2090
Fax: +49-5491-2098

e-mail: info@ehdimaging.de
www.ehd.de

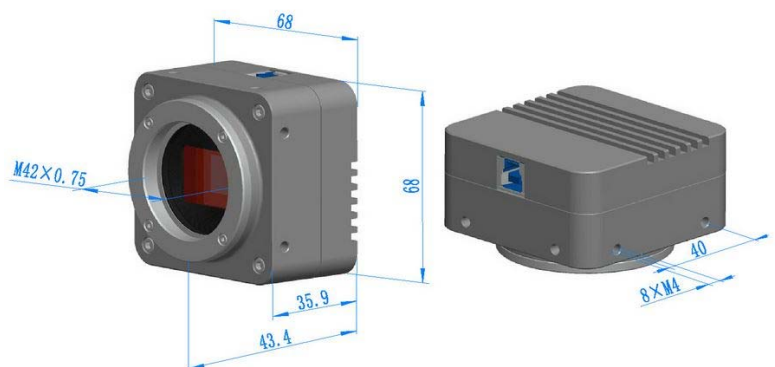
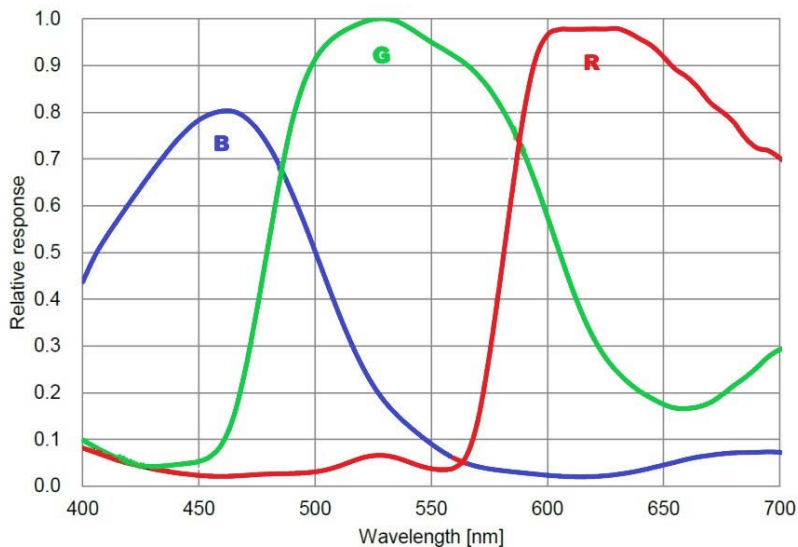


Key Features:

- 10,3MPixel
- Sony IMX294C
- High Sensitive Color
- Backilluminated
- 0.1ms—15s
- 30 fps
- USB3.0
- EHDView Software
- Software SDK

Optional:

- C-Mount Adapter
- F-Mount Adapter



Specifications: SCM694-C

Image Sensor	4/3" Sony backilluminated Starvis IMX294C
Resolution	3704 x 2778
Pixel Size (H x V) μm	4.63 x 4.63
Active Sensor Size (H x V) mm	17.47 x 12.86 (21.69mm diag.)
Full well	63.700e-
Dark current	<2e- @ 12bit
A/D	12bit
Exposure Control	0.1ms ~ 15s
Frame Rate	30 fps
Lens Mount	M42
Operation Temperatur	-10°C ~ 50°C
Power source	DC 5V USB port powered
Dimensions (WxHxD) mm	68 x 68 x 43.4
Weight (without lens)	400g

F-Mount and C-Mount adapter optional available

