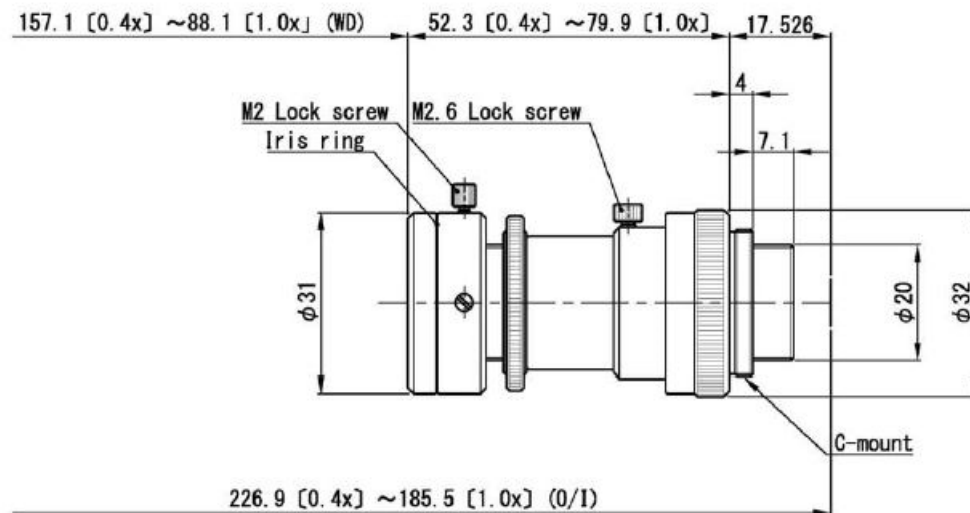


EHD-MC0510S-UV, 1/2" UV Macro Lens

Technical Data

Modell	EHD-MC0510S-UV		
Optical Magnification Range	X0.4 – X1.0		
Optical Mag.	x 0.4	x 0.75	x1.0
Field of View (VxH) 1/2"	12.0 x 16.0 mm	6.4 x 8.5mm	4.8 x 6.4mm
Working Distance	157.1mm	103.4mm	88.1mm
Working F	4.8	5.6	6.4
NA	0.052	0.067	0.078
DOF	1.5mm	0.8mm	0.5mm
TV Distortion	0.00%		
Wavelength	320nm – 420nm		
Mount	C-Mount		
Flange Back	17.526mm		
Sensor Size max.	1/2"		
Weight	76g		
Dimension	D=32 (max) x L=52.3 (x0.4) – 79.9 (x1.0)mm		

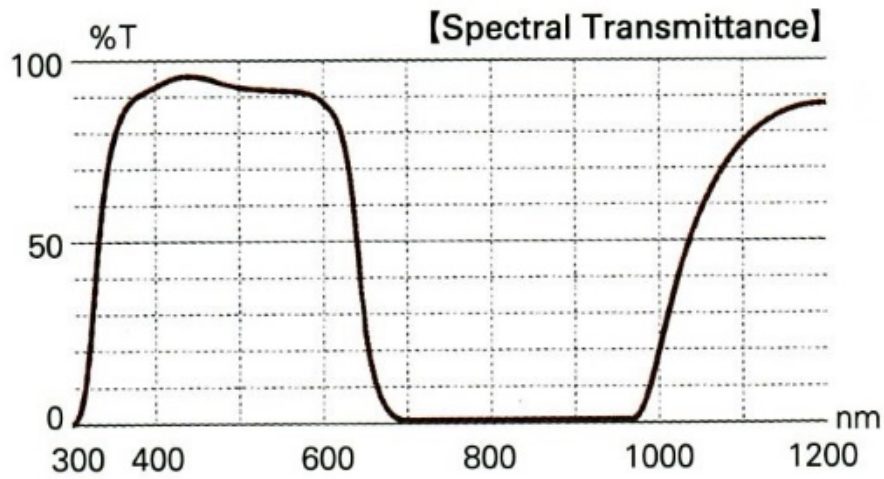
Dimensions



UV



Transmittance



Produkt Image

