

EHD IMAGING GMBH

# UV-Camera

UV Camera USB2.0

## EHD-1300UV

EHD imaging GmbH  
Zum Rennplatz 15  
D-49401 Damme

Phone: +49-5491-2090  
Fax: +49-5491-2098

e-mail: [info@ehdimaging.de](mailto:info@ehdimaging.de)  
[www.ehd.de](http://www.ehd.de)

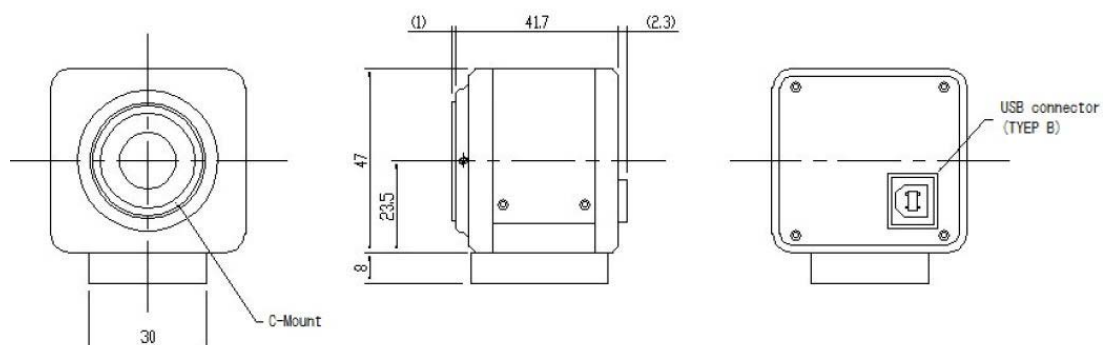
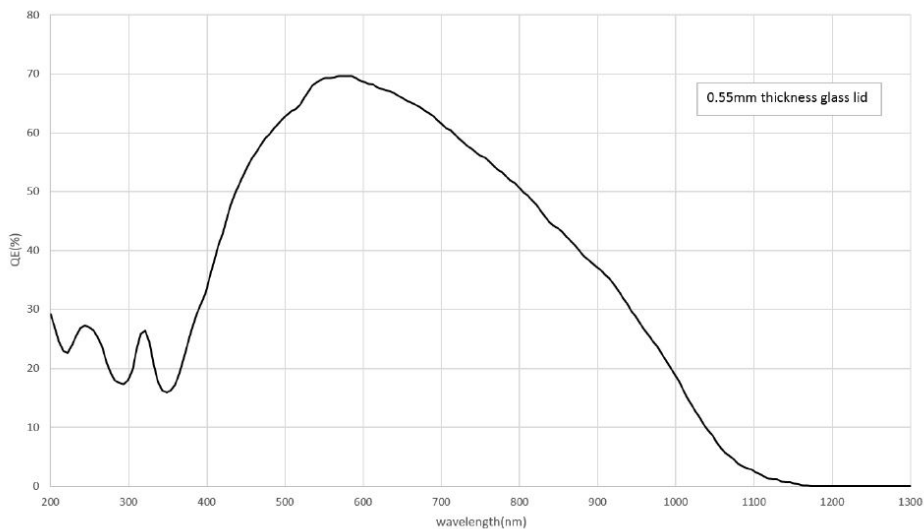


### Key Features:

- 1280x1024 Pixel
- SiOnyx XQE-0920 Sensor
- 200nm –1200nm
- 28 fps
- Trigger in optional
- USB2.0
- Software SDK
- Application-Software

### Optional:

- Recording Software
- Measurement Software



## Specifications: EHD-1300UV

<b>Image Sensor</b>	1" SiOnyx black silicon
<b>Resolution</b>	1280 x 1024
<b>Pixel Size (H x V) <math>\mu\text{m}</math></b>	10 x 10
<b>Active Sensor Size (H x V) mm</b>	12.8 x 10.2
<b>Shutter Type</b>	Rolling
<b>Read Noise</b>	<3e- RMS
<b>A/D</b>	12bit
<b>Shutter Speed</b>	31 $\mu\text{s}$ —1.0s
<b>Frame Rate</b>	28fps
<b>External Trigger (optional)</b>	Input
<b>Lens Mount</b>	C-Mount
<b>Operation Temperatur</b>	0°C ~ 35°C
<b>Power Source</b>	DC12V
<b>Power Consumption</b>	<2.5W
<b>Dimensions (WxHxD) mm</b>	50 x 47 x 42
<b>Weight (without lens)</b>	110g