

EHD IMAGING GMBH

UV-Camera

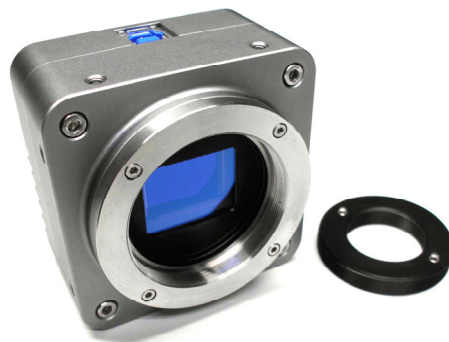
1.3 Megapixel sCMOS backilluminated UV Camera USB3.0

SCM9701-UV

EHD imaging GmbH
Zum Rennplatz 15
D-49401 Damme

Phone: +49-5491-2090
Fax: +49-5491-2098

e-mail: info@ehdimaging.de
www.ehd.de

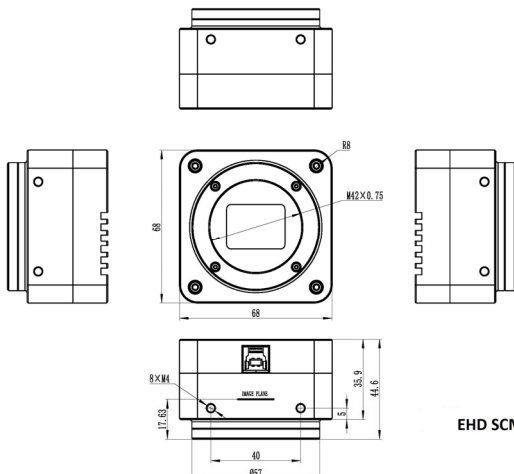
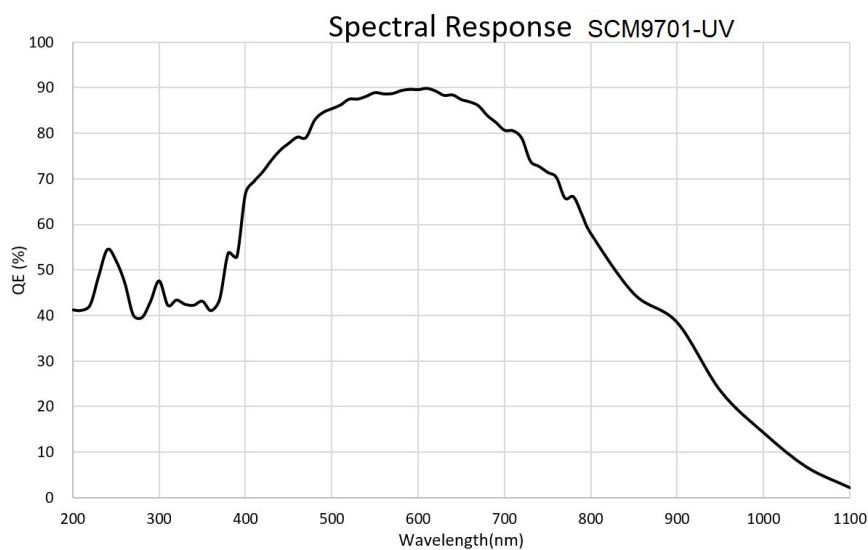


Key Features:

- 1,3MPixel
- GLUX9701BSI
- 200nm –1100nm
- 0.1ms—60s
- 30 fps
- USB3.0 (Windows 10)
- M42 and C-Mount
- EHDView Software
- Software SDK

Optional:

- F-Mount Adapter



Optional bandpass filter:

- U340: 280-380nm (85nm)
- BP250: 230-275nm (70nm)
- BP324: 290-365nm (105nm)
- BP365: 335-400nm (80nm)

Specifications: SCM9701-UV

Image Sensor	1" GLUX9701BSI back illuminated
Resolution	1280 x 1024
Pixel Size (H x V) μm	9.76 x 9.76
Active Sensor Size (H x V) mm	12.49 x 9.99
Full well	50ke-
Dark current	1.6e-/s/pix
A/D	16bit
Exposure Control	0.1ms ~ 60s
Frame Rate	30 fps
Conversation Gain	HDR
Lens Mount	M42 and C-Mount
Operation Temperatur	-10°C ~ 50°C
Power source	DC 5V USB port powered, 3.4W (680mA)
Dimensions (WxHxD) mm	68 x 68 x 43.4
Weight (without lens)	400g

F-Mount adapter optional available

