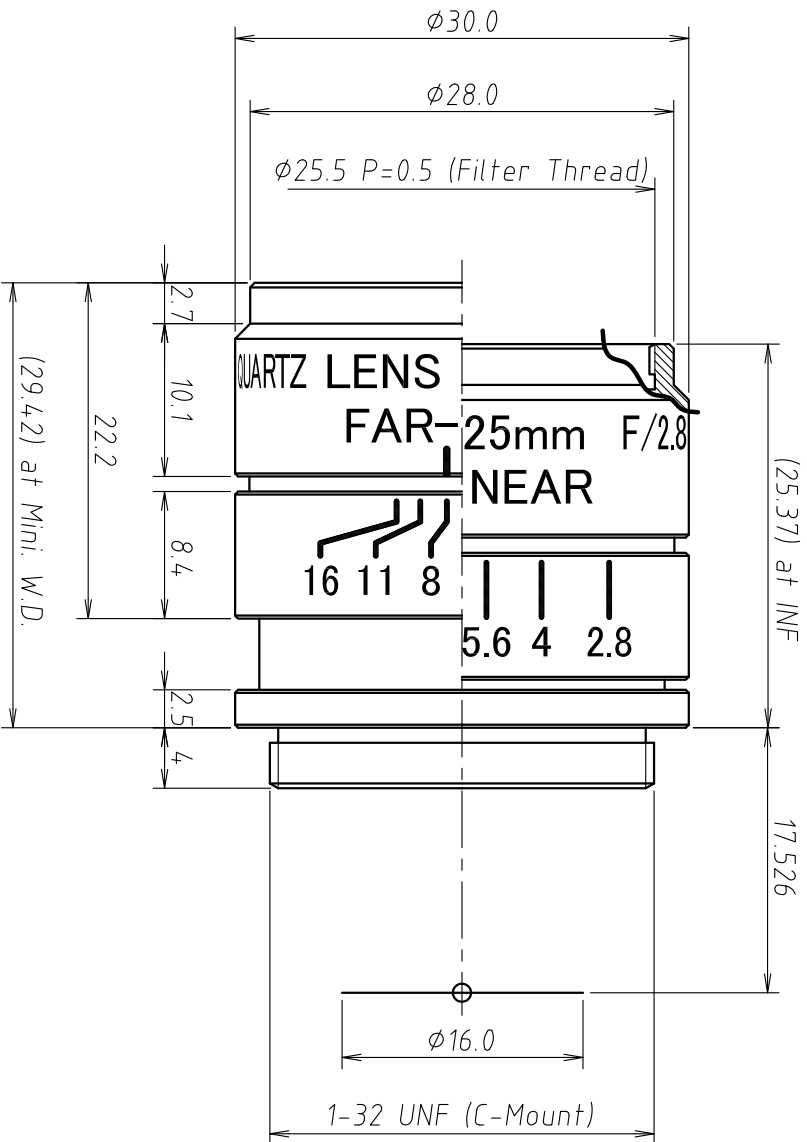


Lens Specification	
Focal length	25.04mm (at $\lambda = 266\text{nm}$ )
Back focal length	22.07 mm
Mechanical back	13.53 mm
Aperture ratio	F/2.8 ~ F/16
Image size	1/4" (9.6mm x 12.8mm)
Magnification	-4.05 %
Distortion	
Angle of view at INF.	
Vertical	22.2 °
Horizontal	29.7 °
Diagonal	37.2 °
Resolution	
Center	
Corner	
Pupil positions	
Entrance pupil	8.96 mm (Front lens)
Exit pupil	-26.14 mm (Image plane)
Principal points	
Object space	10.02 mm (Front lens)
Image space	-25.04 mm (Image plane) ( $\lambda = 266\text{nm}$ )
Coating	
All surfaces are antireflection coated. MgF2 single coated.	

Note:  
 1. Mini. Working Dist.  
 171.8mm (at  $\lambda = 266\text{nm}$ )  
 199.6mm (at  $\lambda = 300\text{nm}$ )  
 261.8mm (at  $\lambda = 350\text{nm}$ )  
 309.8mm (at  $\lambda = 390\text{nm}$ )



EHD Imaging GmbH  
 Zum Rennplatz 15  
 49401 Damme/Germany  
 Phone: +49-5491-2090  
 Fax: +49-5491-2098  
 web: www.ehd.de  
 e-mail: info@ehdimgaging.de



△					
△					
△					
△					
07/28/2014					
TITLE	25mm F/2.8 UV LENS			DRAWN	T.N.
P/NO.	UV2528B			CHECKED	H.K.
Mfg. NO.	VC291A-Y01	U01	UV2528B	SHEET	1 OF 1
				REV	A